

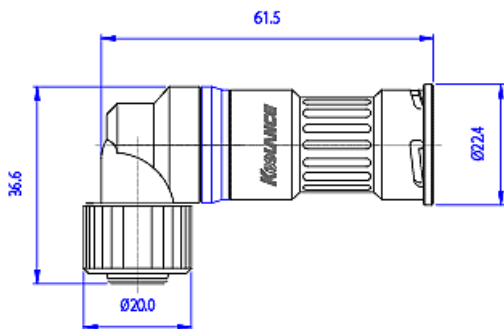
**VL3N Female Quick Disconnect No-Spill Coupling, Angle for 10mm x 13mm (3/8in x 1/2in)**



Koolance patented quick disconnect no-spill coupling with automatic shutoff. 10mm (3/8in) ID female swiveling elbow connection with compression fitting. It will only fit a Koolance VL3N male quick disconnect.

After a quarter twist, the quick-disconnect fittings will separate. Liquid on both sides will be automatically obstructed with approximately 0.2ml freed. Coolant volume lost upon disconnection will rise with internal pressure higher than 0.5kgf/cm<sup>2</sup> (7psi). Maximum operating pressure is 2-2.5kgf/cm<sup>2</sup> (28-35 psi). Maximum operating temperature is 90°C.

General	
Weight	0.23 lb (0.10 kg)



No-Spill Shut-Off Valve

