

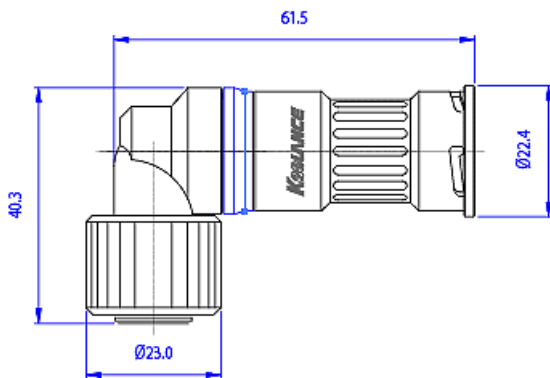
VL3N Female Quick Disconnect No-Spill Coupling, Angle for 13mm x 16mm (1/2in x 5/8in)



Koolance patented quick disconnect no-spill coupling with automatic shutoff. 13mm (1/2in) ID female swiveling elbow connection with compression fitting. It will only fit a Koolance VL3N male quick disconnect.

After a quarter twist, the quick-disconnect fittings will separate. Liquid on both sides will be automatically obstructed with approximately 0.2ml freed. Coolant volume lost upon disconnection will rise with internal pressure higher than 0.5kgf/cm² (7psi). Maximum operating pressure is 2-2.5kVL3gf/cm² (28-35 psi). Maximum operating temperature is 90 °C.

| General | |
|---------|-------------------|
| Weight | 0.24 lb (0.11 kg) |



No-Spill Shut-Off Valve

