

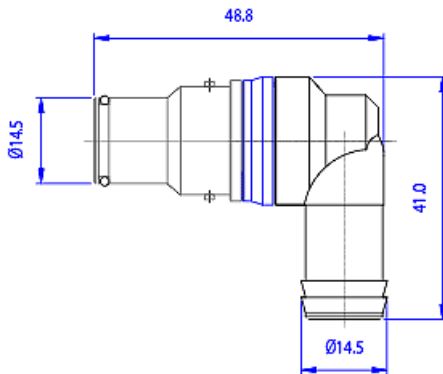
**VL3N Male Quick Disconnect No-Spill Coupling, Angle Barb for ID 13mm (1/2in)**



Koolance patented quick disconnect no-spill coupling with automatic shutoff. 13mm (1/2in) ID male swiveling elbow connection with barb fitting and clamp. It will only fit a Koolance VL3N female quick disconnect.

After a quarter twist, the quick-disconnect fittings will separate. Liquid on both sides will be automatically obstructed with approximately 0.2ml freed. Coolant volume lost upon disconnection will rise with internal pressure higher than 0.5kgf/cm<sup>2</sup> (7psi). Maximum operating pressure is 6kgf/cm<sup>2</sup> (85 psi). Maximum operating temperature is 90°C.

General	
Weight	0.14 lb (0.06 kg)



No-Spill Shut-Off Valve

