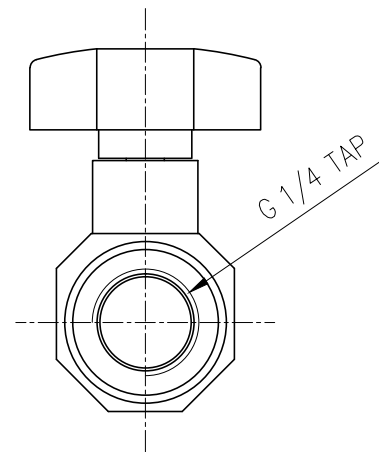
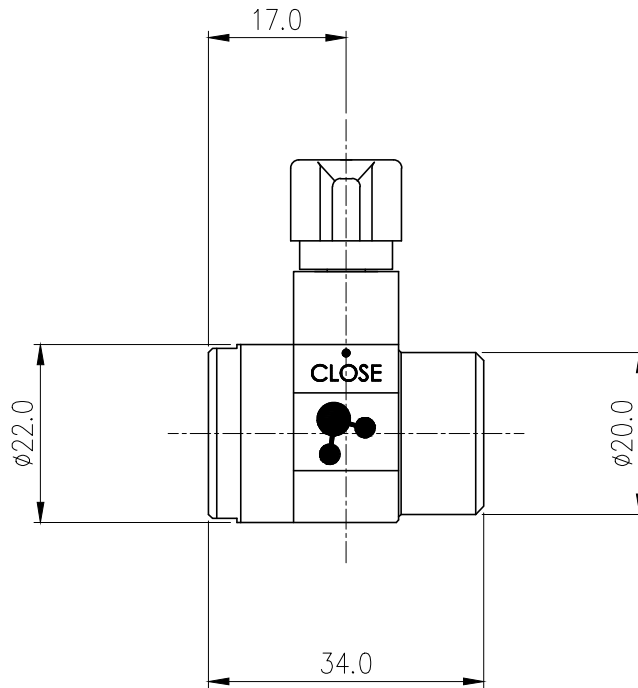
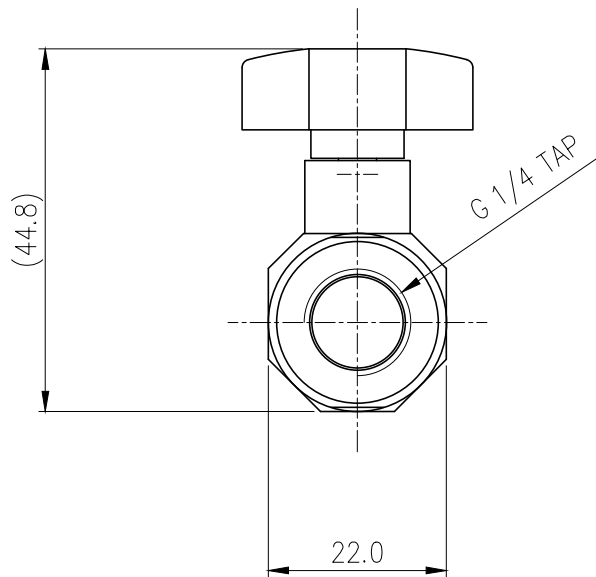
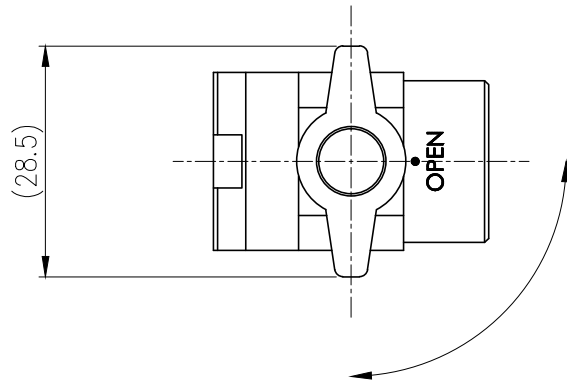





Manual ball valve for closing, opening, or partially restricting coolant flow. Nickel-plated brass, G 1/4 BSPP threading.

General	
Weight	0.19 lb (0.09 kg)
Fitting Thread	G 1/4 BSPP
Max Pressure Tolerance @ 25° C	10kgf/cm2 (142.2psi)
Max Temperature Tolerance	100° C (212° F)



NO.	DESCRIPTION	MATER'L		QUANTITY	REMARKS
		UNIT	MM		
		SCALE	N/S	ITEM	VLV-BL1X2
		3RD ANGLE		TITLE	
DATE	BY	BY	BY	APPRD BY	Ass'y
	S.J.LEE				
			CODE NO.	DWG. NO.	PAGE

REVISION	DATE	CONTENTS	REVD BY	CHKD BY	APPD BY