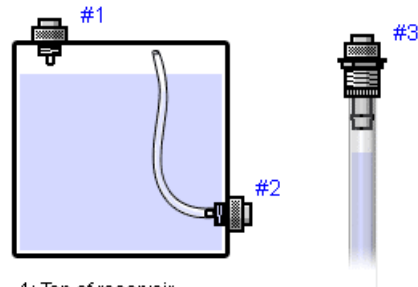




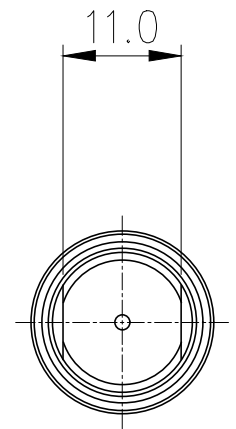
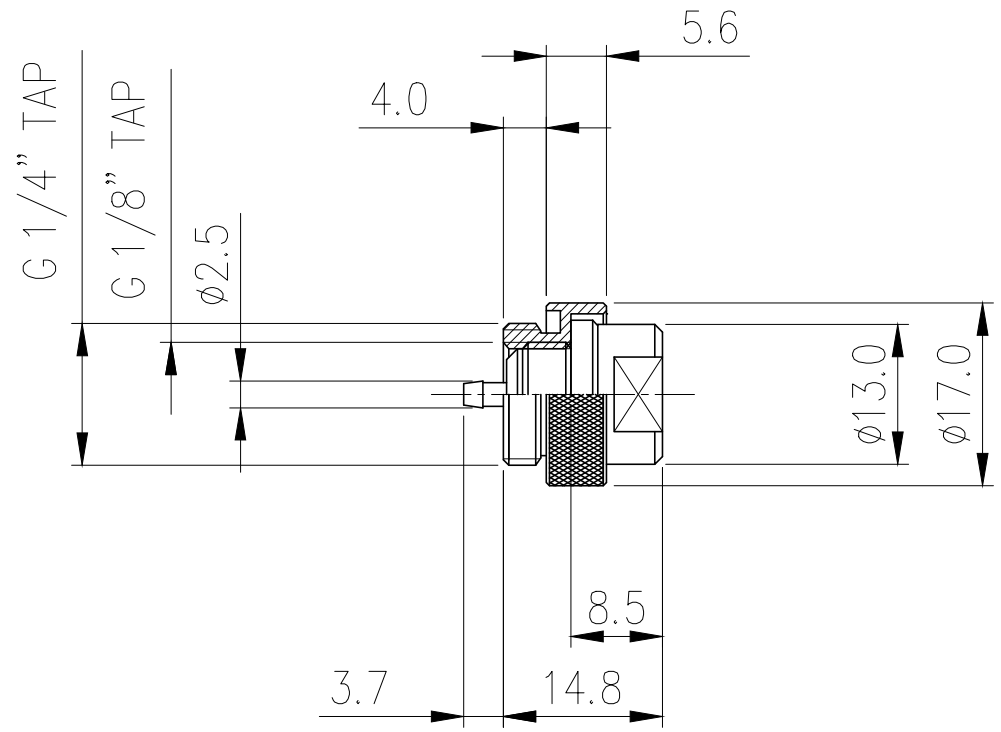
The VLV-VL002K safety valve releases built-up air pressure in situations such as corrosion, thermal expansion, etc. (at approximately 0.3-0.4kg/cm<sup>2</sup>, 4.3-5.7psi). G 1/4 BSPP thread.

General	
Weight	0.04 lb (0.02 kg)
Fitting Thread	G 1/4 BSPP
Wetted Materials	Nickel-Plated Brass, EPDM

Correct locations of Koolance  
VLV-VL002K Pressure Valve:



- 1: Top of reservoir
- 2: Bottom of reservoir with tubing to air (included)
- 3: Top of fill port (not included)



NO.	DESCRIPTION	MATER'L		QUANTITY	REMARKS
	<b>KOOLANCE</b>	UNIT	MM	PART NO.	VLV-VL002K
		SCALE	N/S	TITLE	
DATE	BY	BY	APPRO BY	3RD ANGLE	
05/10/2017	S.J.LEE			DWG. NO.	ITEM
					Ass'y