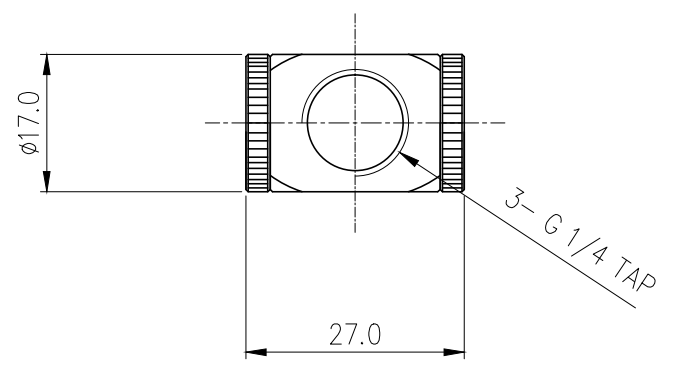
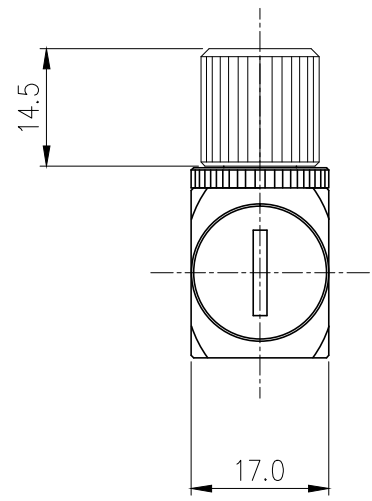
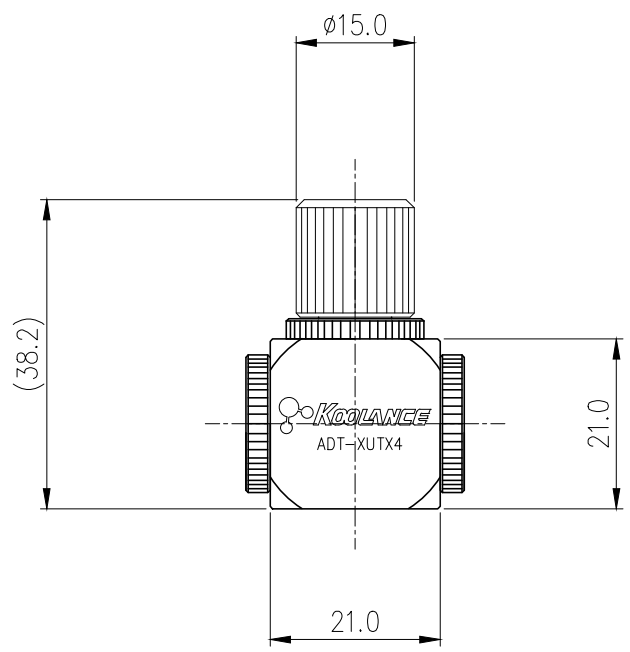




Inline drain valve to expedite coolant evacuation without turning your unit upside-down. This product is designed to be placed inline on any hose. Simply choose fittings for the desired hose diameter. Construction is nickle-plated brass.

To use, install the valve on a hose near the bottom of your setup. When you need to empty the system, place a container below the valve and unscrew it. A segment of 6mm (1/4in) ID tubing can be attached to the drain nozzle. Next, open the top reservoir refill plug on your cooling system.

General	
Weight	0.23 lb (0.10 kg)
Fitting Thread	G 1/4 BSPP
Max Pressure Tolerance @ 25° C	15kg/cm2 (213.4psi)
Max Temperature Tolerance	120° C (248° F)
Wetted Materials	Nickel-Plated Brass, EPDM



NO.	DESCRIPTION	MATER'L		QUANTITY	REMARKS
	<b>Koolance</b>	UNIT	MM	ITEM	VLV-XUTX4B
		SCALE	N/S	TITLE	Ass'y
DATE	BY	BY	BY	APPRO BY	
	S.J.LEE				CODE NO.
					DWG. NO.
					PAGE

REVISION	DATE	CONTENTS	REVD BY	CHKD BY	APPD BY