

VR-AS40 Water Block (ASUS Motherboard VReg)

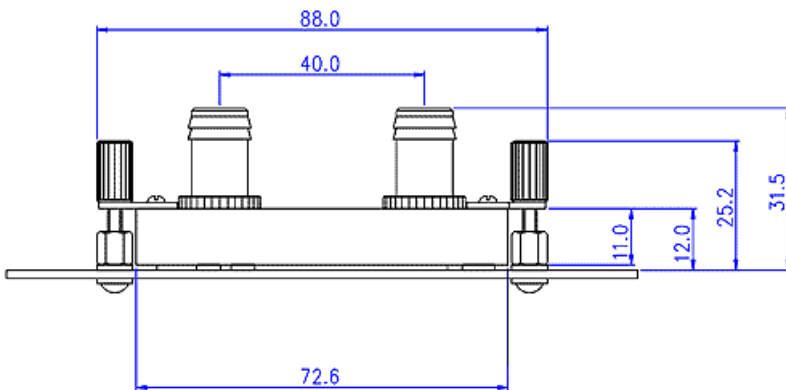


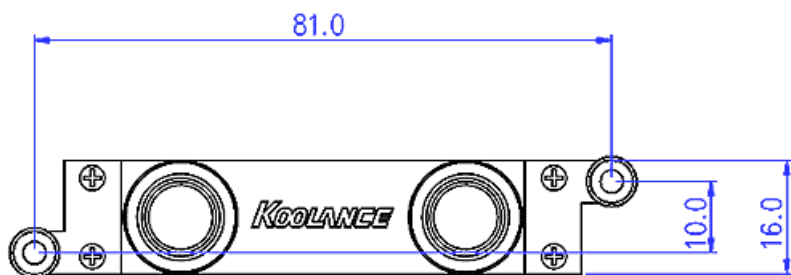
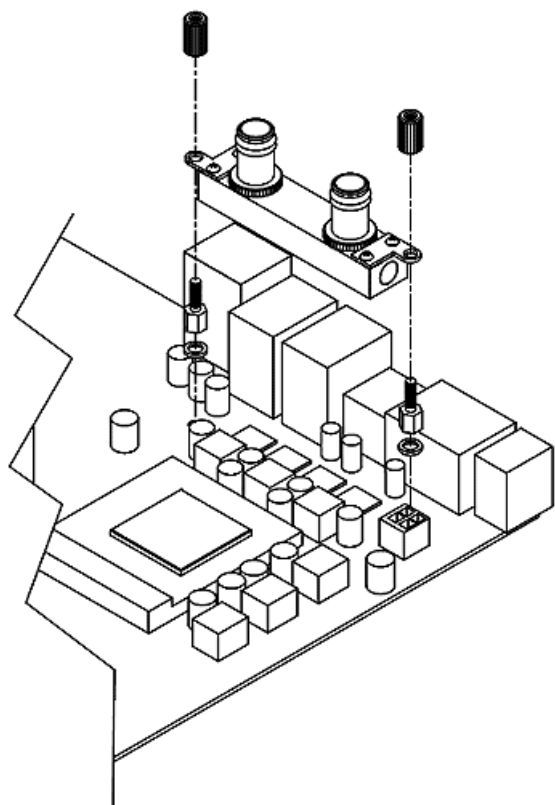
The VR-AS40 is a cooler for ASUS motherboard MOSFET-based voltage regulator circuits. It works with the 82mm (3.2") mounting hole distance. The VR-AS40 is created from solid copper and plated in gold. G 1/4 BSPP fitting threading.

Verified ASUS boards:

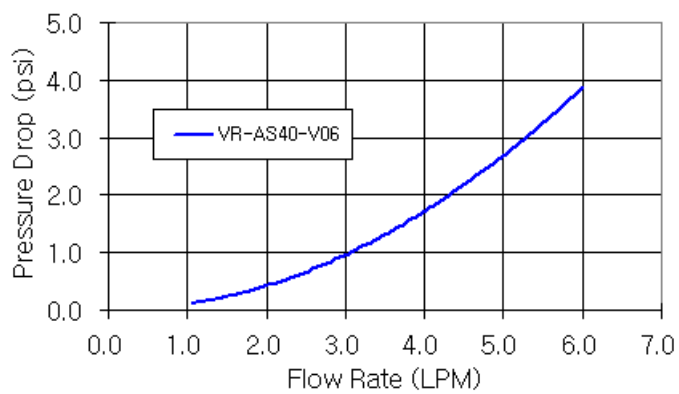
- A8N32-SLI Deluxe
- M2N32-SLI (Uses 1 x VR-AS40 and 1 x VR-AS39)
- Striker Extreme
- P5B Deluxe
- P5N32-E SLI

General	
Weight	0.60 lb (0.27 kg)
Wetted Materials	Gold-Plated Copper





Pressure Drop vs. Flow Rate



Pressure Drop vs. Flow Rate

