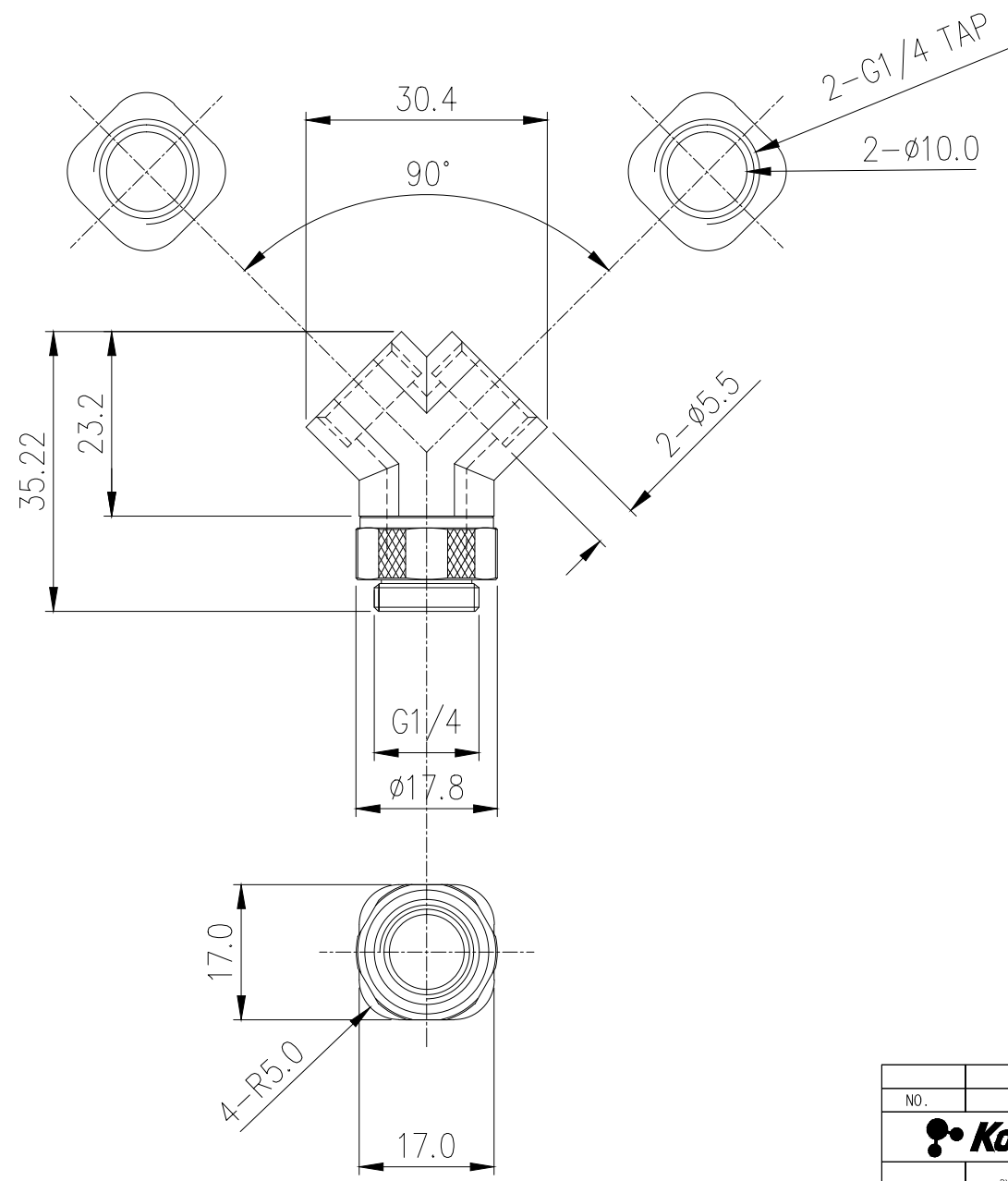




Koolance "Y-shape" tubing splitter with one swiveling male and two female G 1/4 BSPP threads. Made of brass with EPDM o-rings.

General	
Weight	0.10 lb (0.05 kg)
Fitting Thread	G 1/4 BSPP
Max Pressure Tolerance @ 25°C	8kgf/cm <sup>2</sup> (113.8psi)
Max Temp. Operating Tolerance	120°C (248°F)



NO.	DESCRIPTION	MATER'L		QUANTITY	REMARKS
	<b>KOOLANCE®</b>	UNIT	MM	APPAR	SPL-YF2MS1G4
		SCALE	N/S	TITLE	
DATE	BY	BY	BY	BY	Ass'y
JAN.14.2021	S.J.LEE				
				3RD ANGLE	
				CODE NO.	DWG. NO.