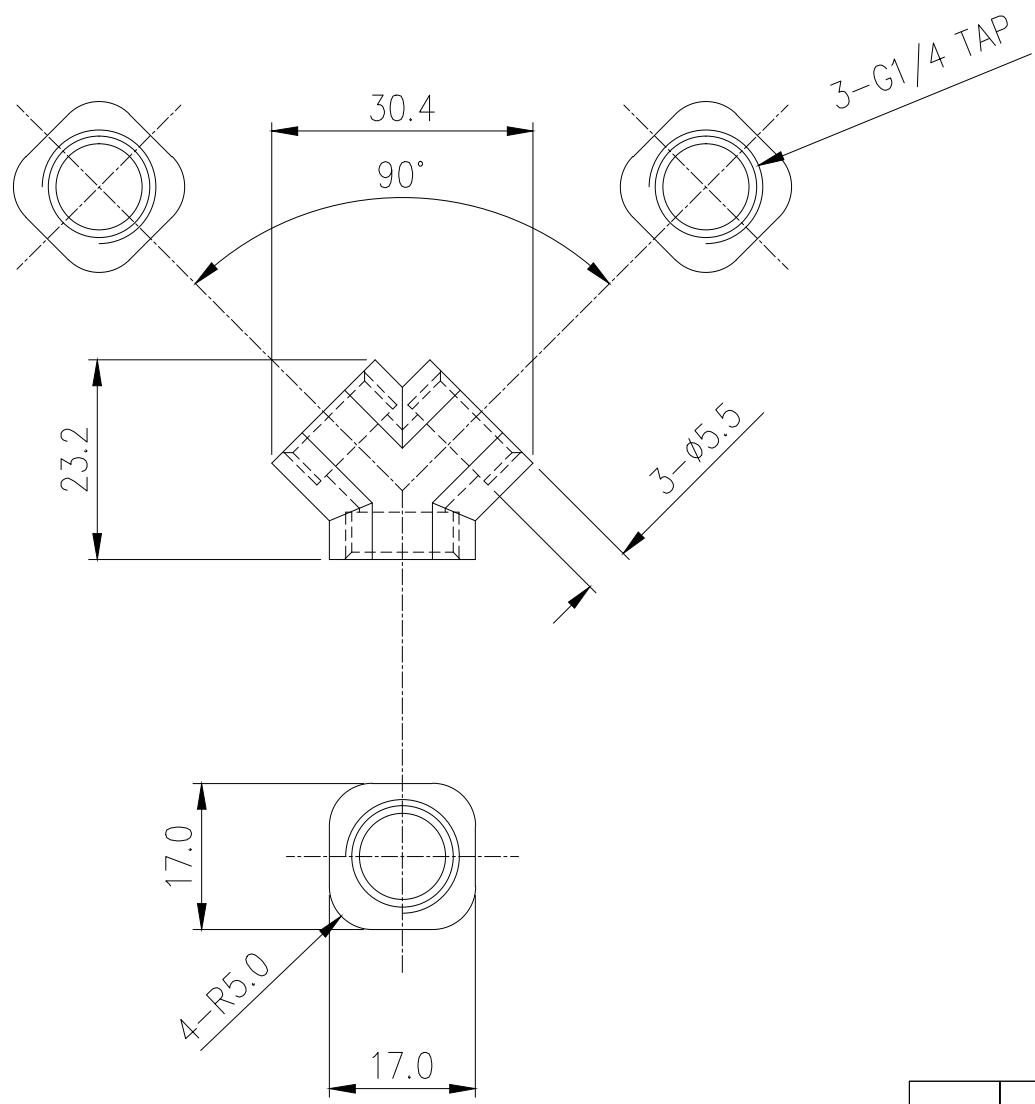




Koolance "Y-shape" tubing splitter with three female G 1/4 BSPP threads. Made of nickel-plated brass.

General	
Weight	0.10 lb (0.05 kg)
Fitting Thread	G 1/4 BSPP
Max Pressure Tolerance @ 25° C	15kgf/cm2 (213.4psi)
Max Temp. Operating Tolerance	120° C (248° F)



NO.	DESCRIPTION	MATER'L		QUANTITY	REMARKS
	<b>KOOLANCE</b>	UNIT	MM	APPAR	SPL-YF3G4
		SCALE	N/S	TITLE	
DATE	BY	BY	BY	APPRO	Ass'y
				BY	
JAN.14.2021	S.J.LEE				3RD ANGLE
					CODE NO.
					DWG. NO.